

People Who Help Us

Builder

The pages of this pack give some general information about the role of a builder and some fun and engaging activities to foster and develop children's interest in this role in society.

This pack includes:

- Information Posters
- Information Posters (Colouring)
- Drawing/Writing Sheets
- Draw items Sheet
- Draw items Sheet (Colouring)
- Item Poster
- Item Poster (Colouring)
- Multimats for Art & Craft/Loose Parts/Playdough
- 6x 2-Piece individual items puzzles
- 1x 4-Piece all items puzzle

Builder



I'm a **builder**.
I work as part of a team to build new buildings that people might live or work in.

I use special equipment to move heavy objects and I wear protective clothes to keep myself safe.

I often wear a hard hat to protect my head from falling objects.

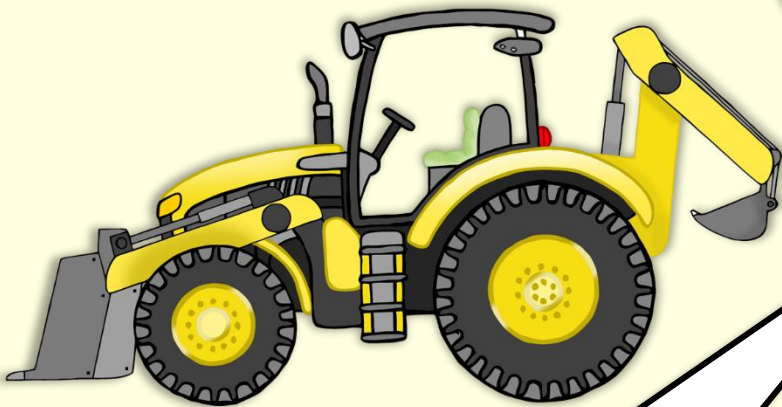


Builder

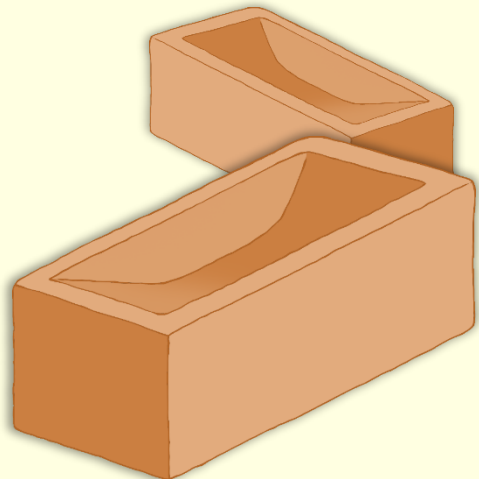
I use many different tools as part of my job.



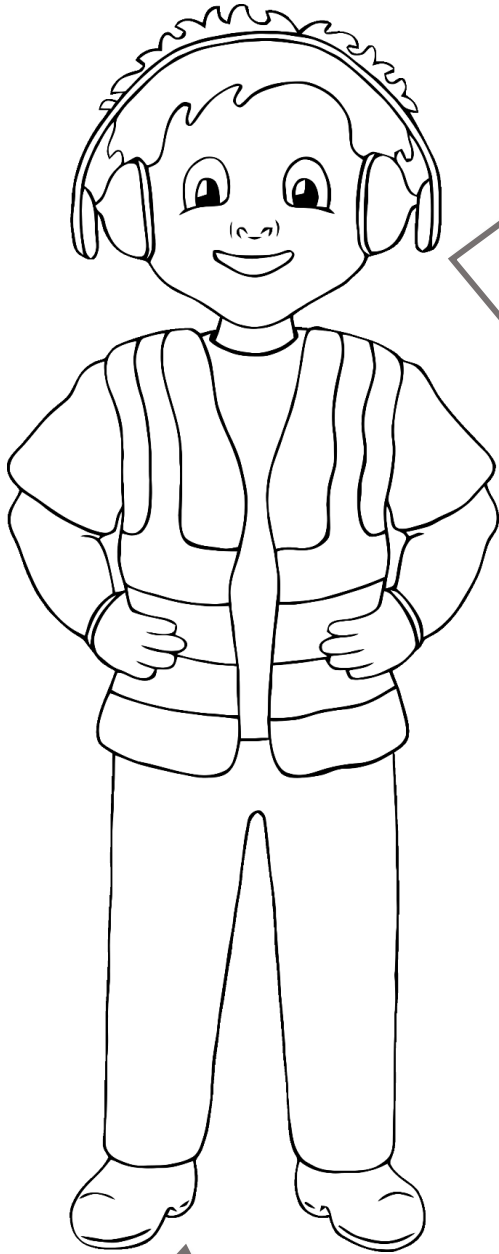
I sometimes need to use a digger to move lots of heavy objects quickly.



I build buildings using bricks. It takes lots and lots of bricks to make a building.



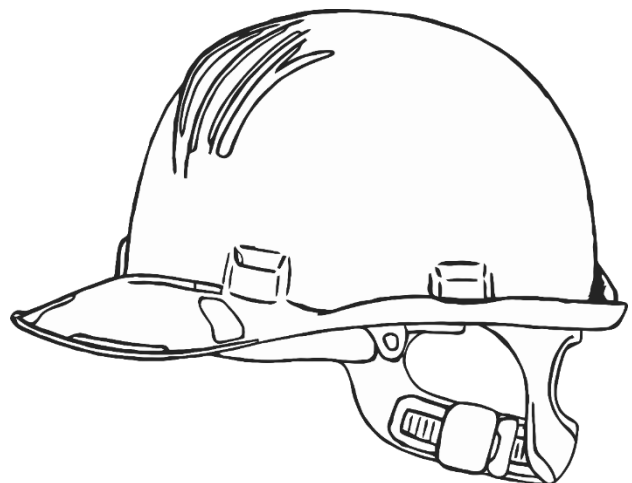
Builder



I'm a builder.
I work as part of a team to build new buildings that people might live or work in.

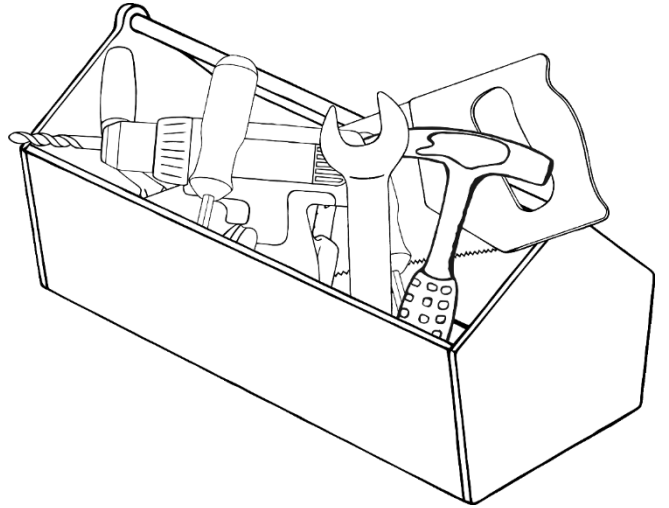
I use special equipment to move heavy objects and I wear protective clothes to keep myself safe.

I often wear a hard hat to protect my head from falling objects.

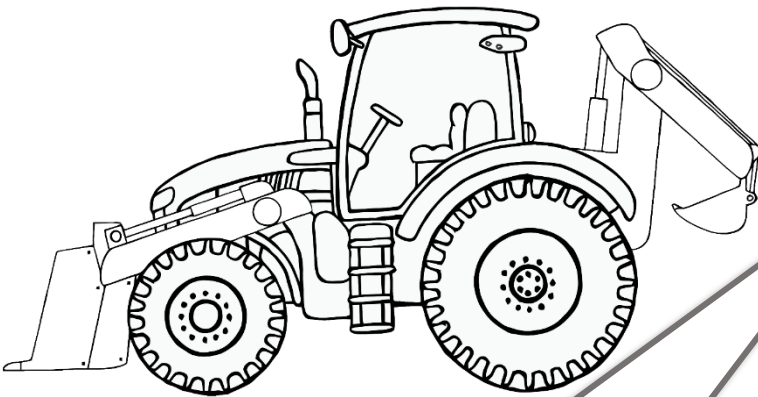


Builder

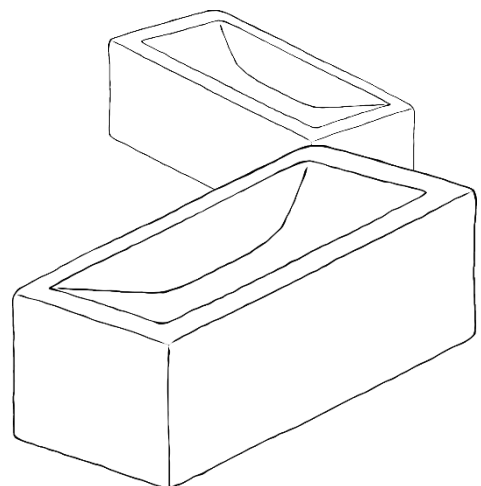
I use many different tools as part of my job.



I sometimes need to use a digger to move lots of heavy objects quickly.



I build buildings using bricks. It takes lots and lots of bricks to make a building.



Draw a Builder!



A large, empty rectangular area with rounded corners, intended for drawing a builder. The area is white and framed by a thick black border.

Draw and write about a Builder!



A large, empty rectangular area with rounded corners, intended for drawing and writing. At the bottom of this area, there are three horizontal lines for writing.

Draw and write about a Builder!



A large white rectangular area with rounded corners, intended for drawing and writing. It contains six horizontal lines for writing, spaced evenly down the page.

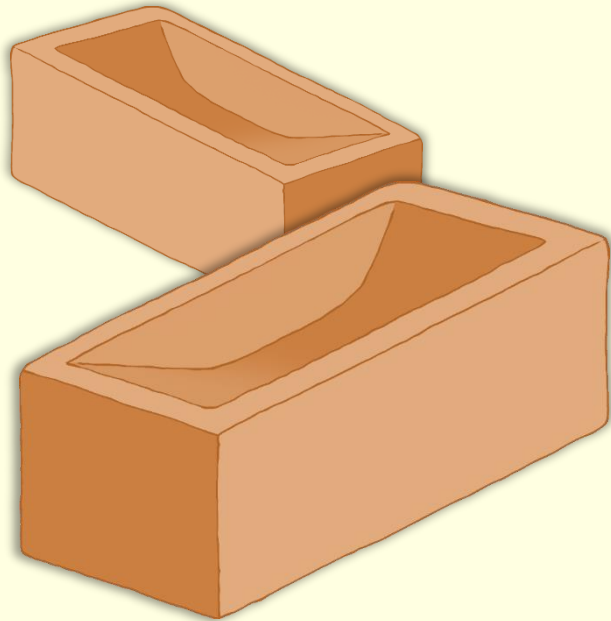
Can you draw the items a builder needs?



Can you draw the items a builder needs?



Builder



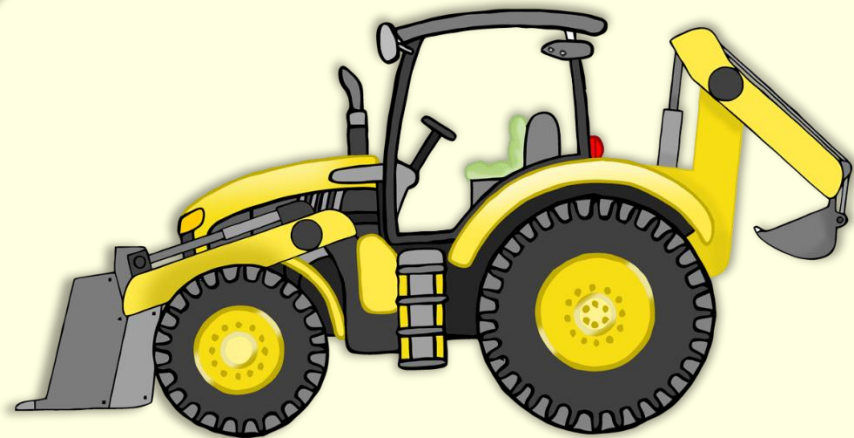
bricks



hard hat

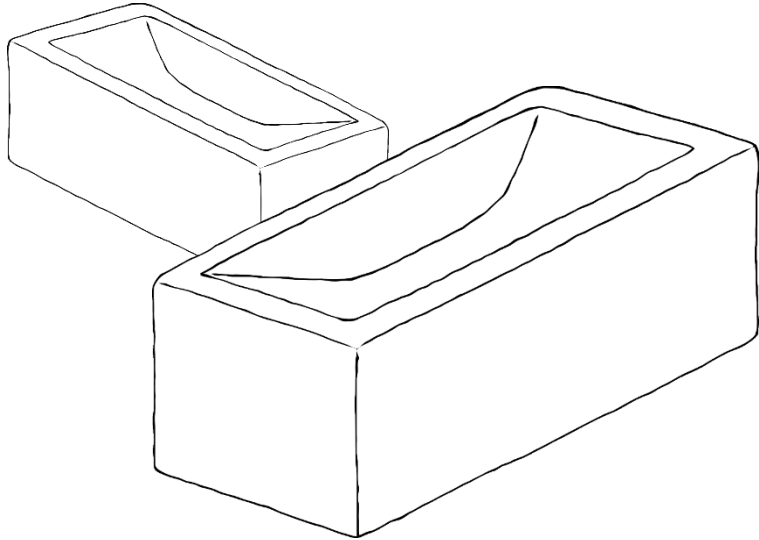


tools

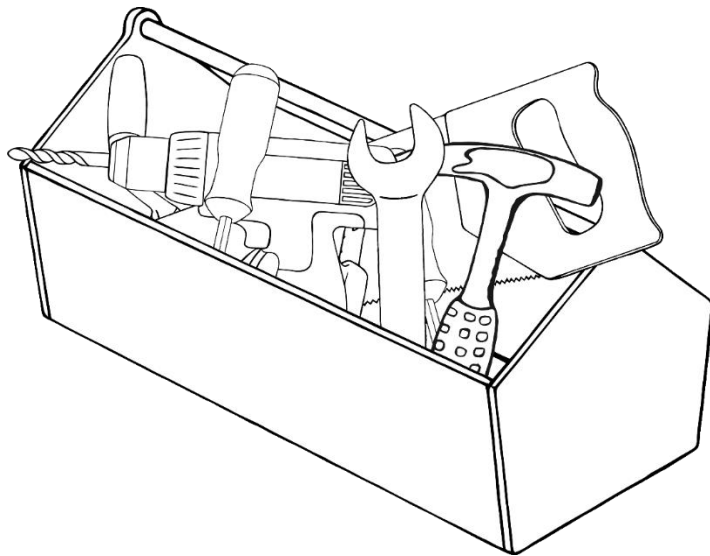


digger

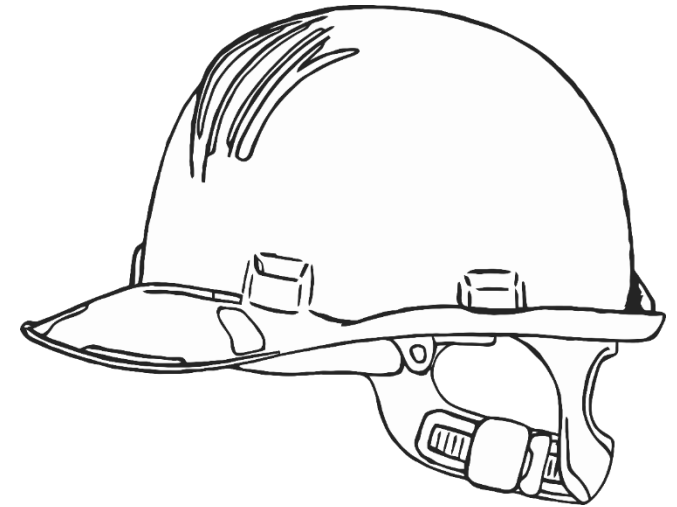
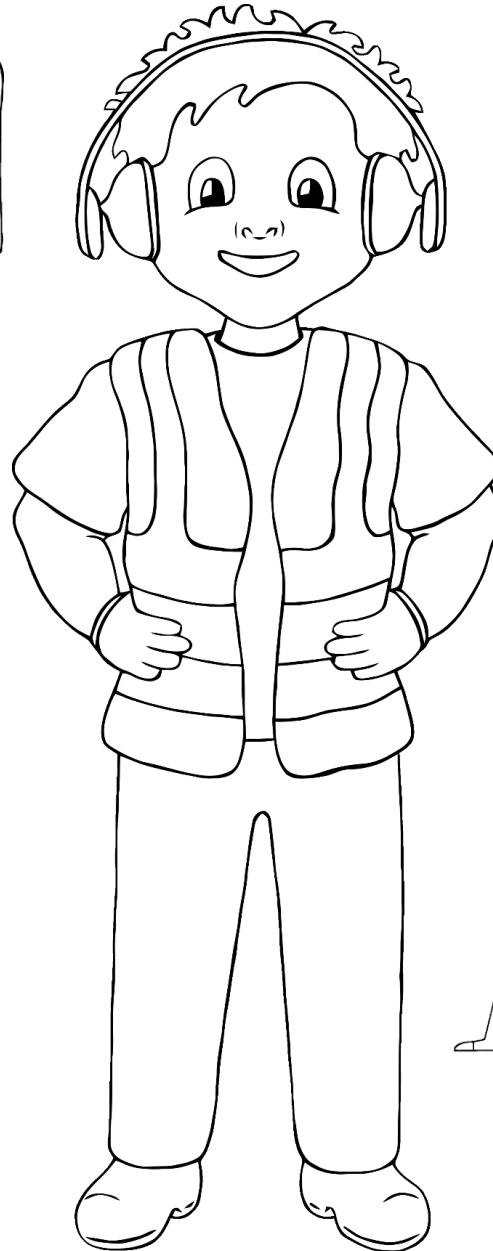
Builder



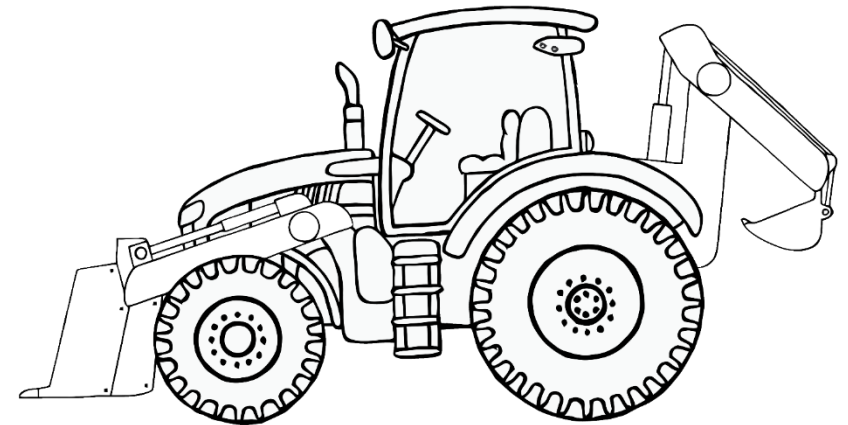
bricks



tools

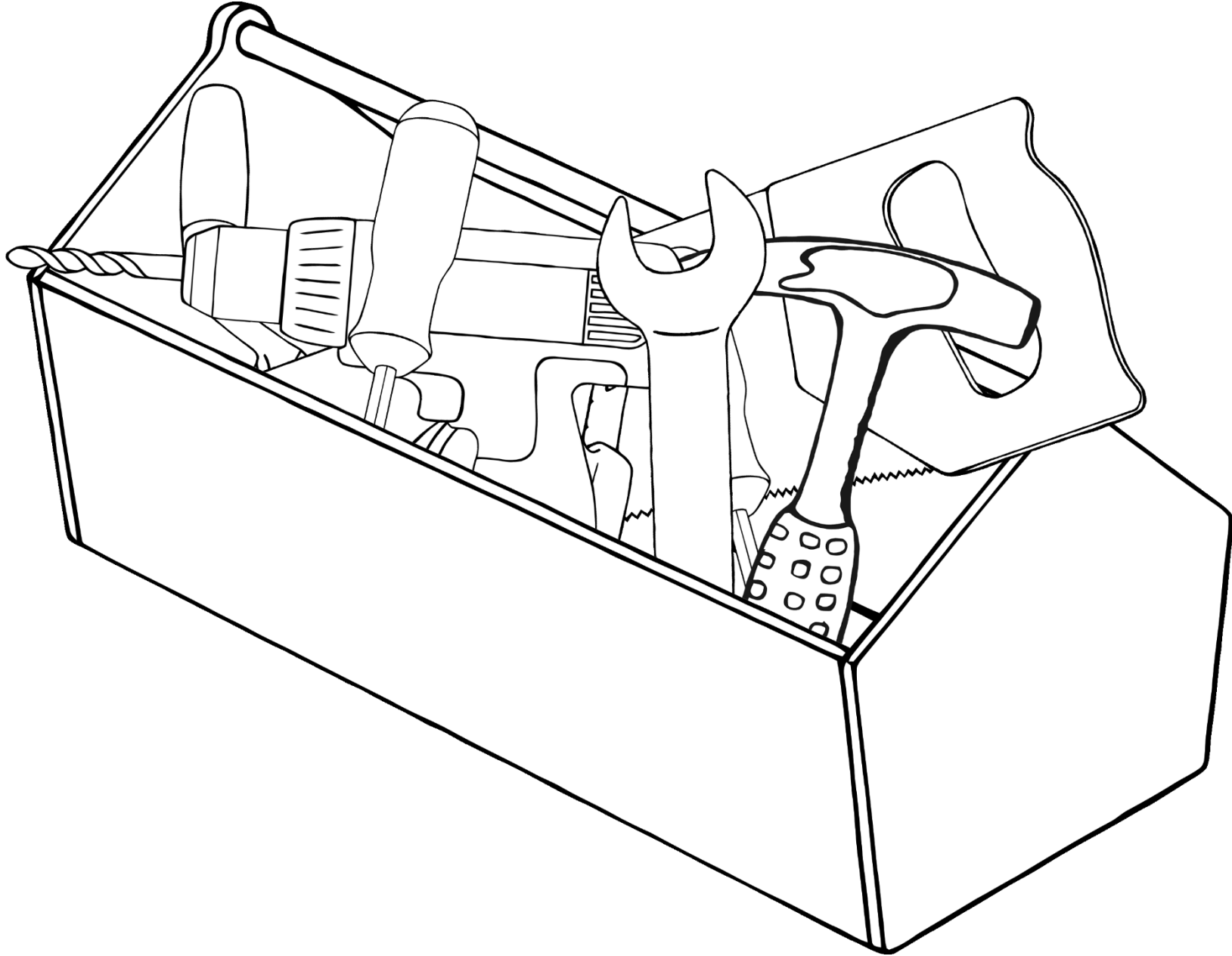


hard hat

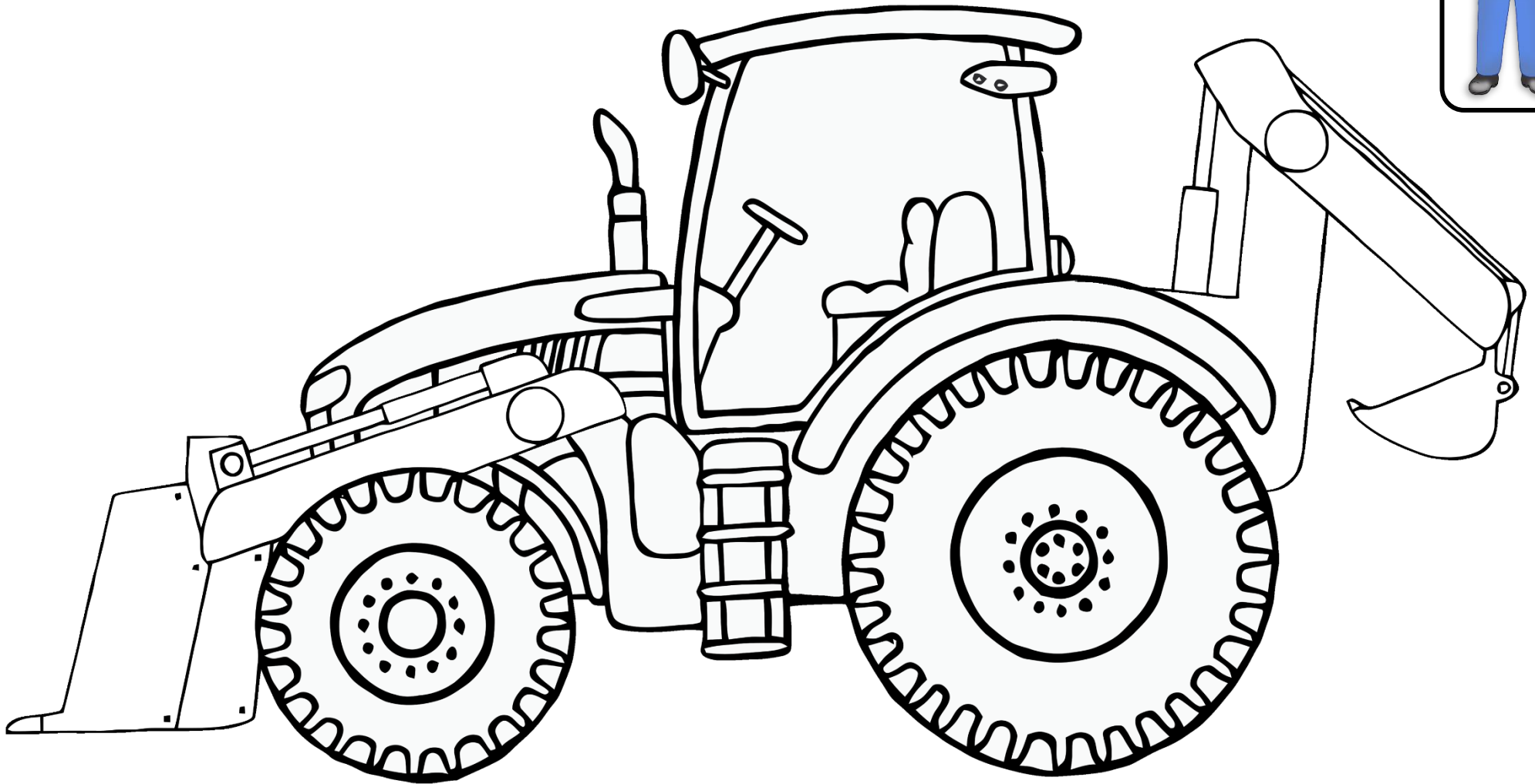


digger

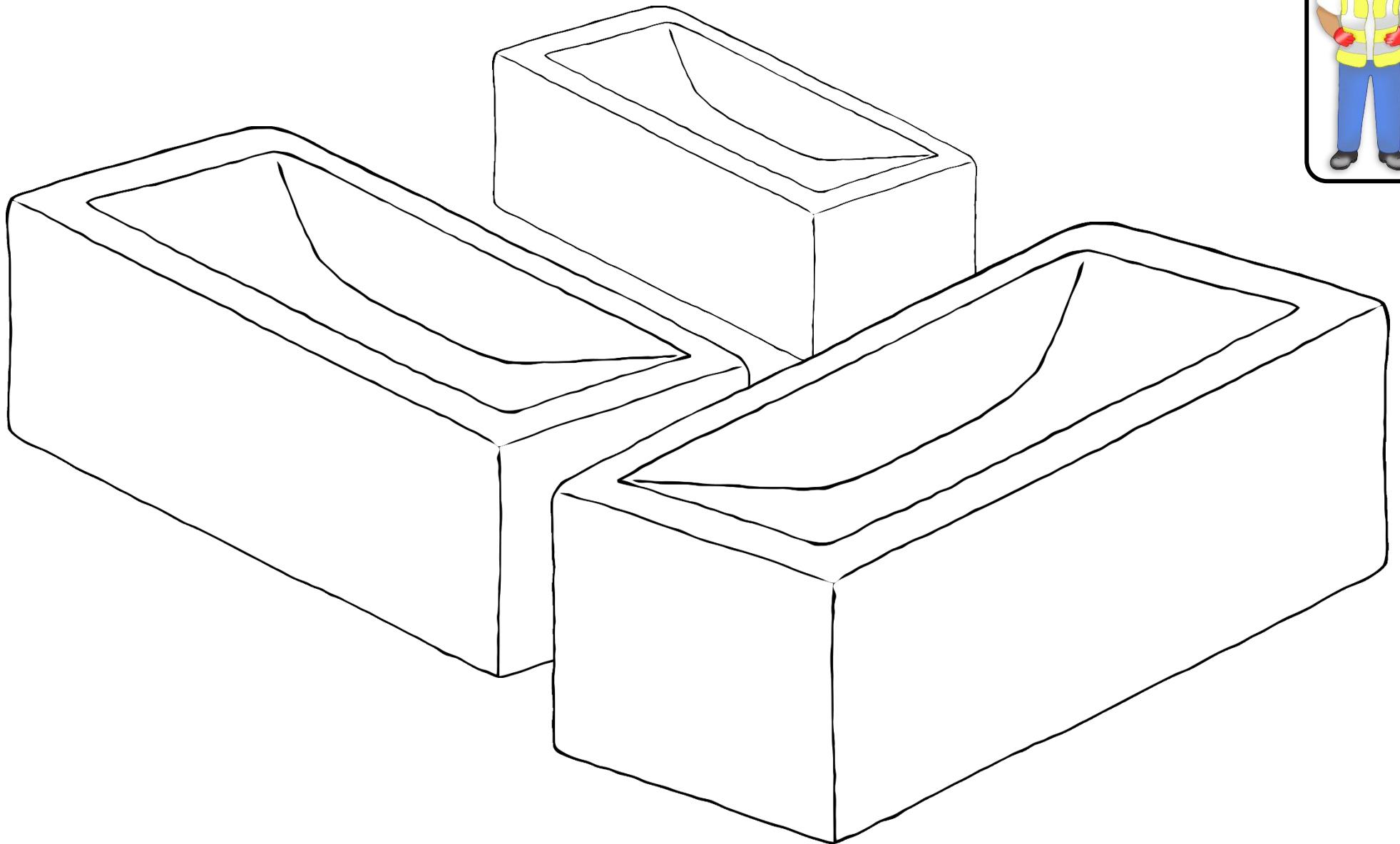
Builder Multimat - tools



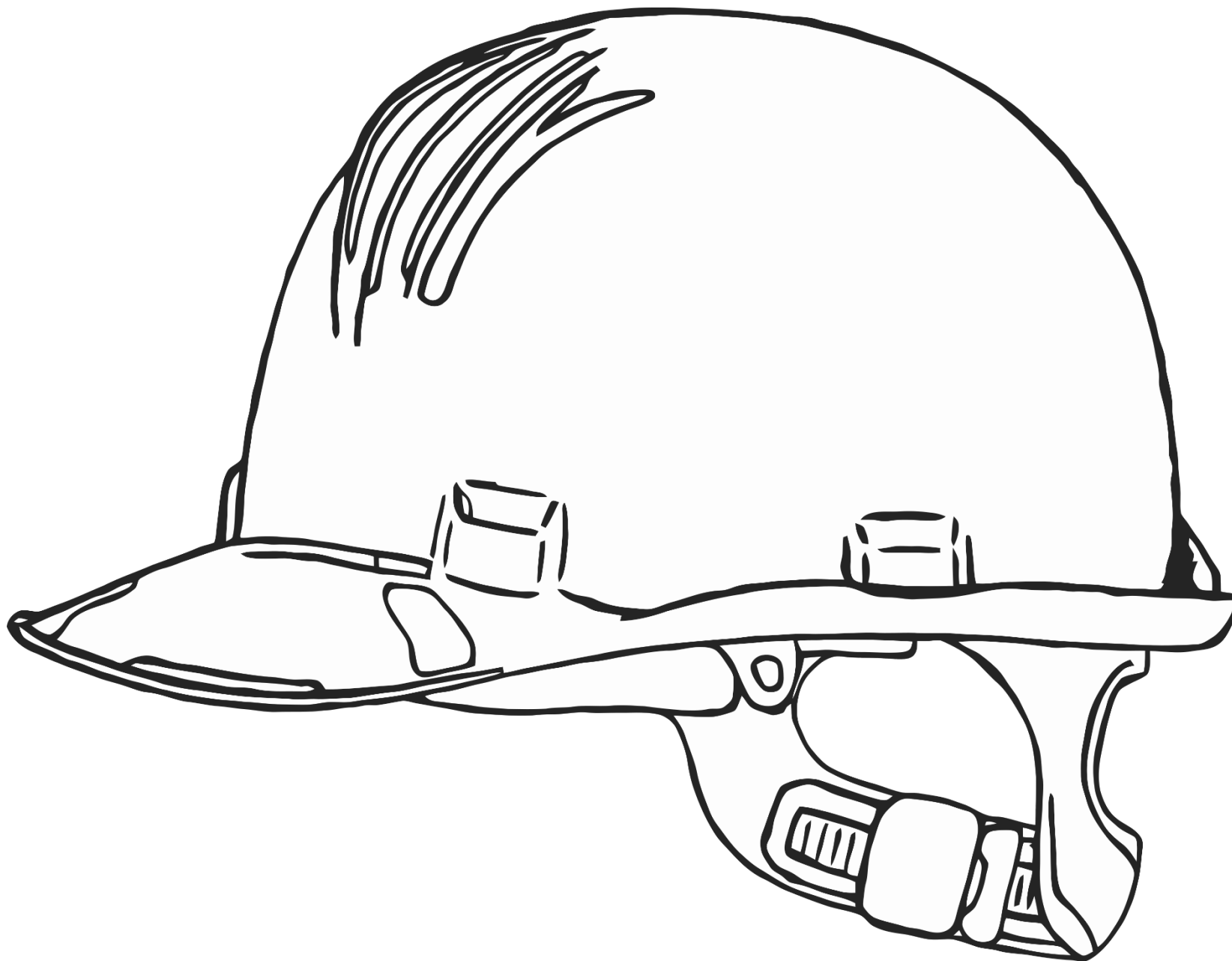
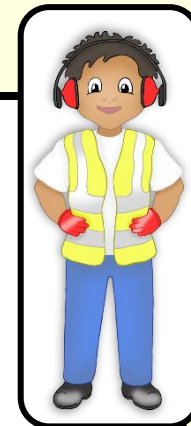
Builder Multimater - digger

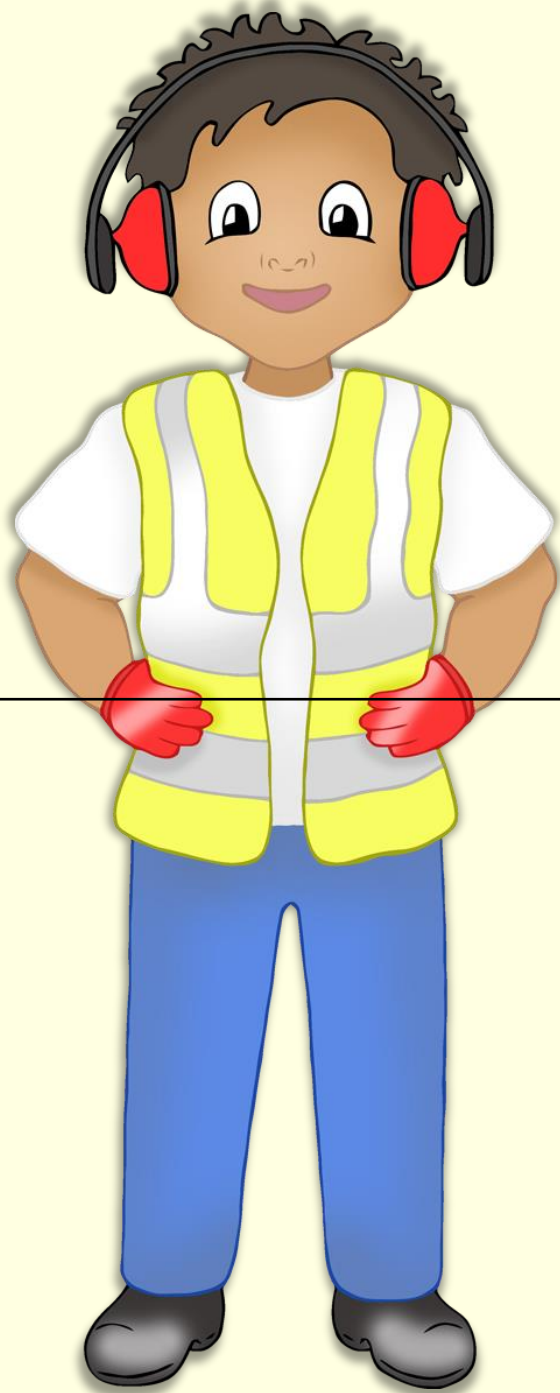


Builder Multimat – bricks



Builder Multimater – hard hat

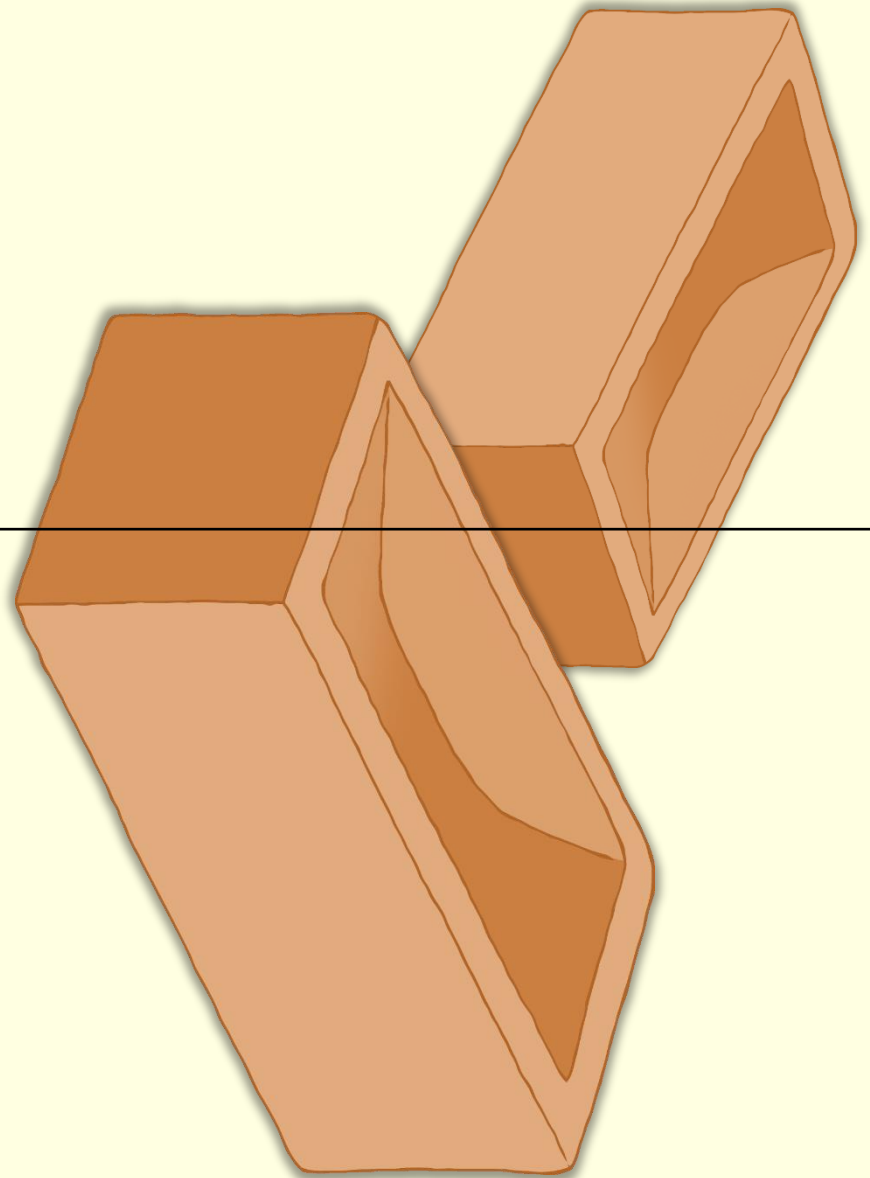
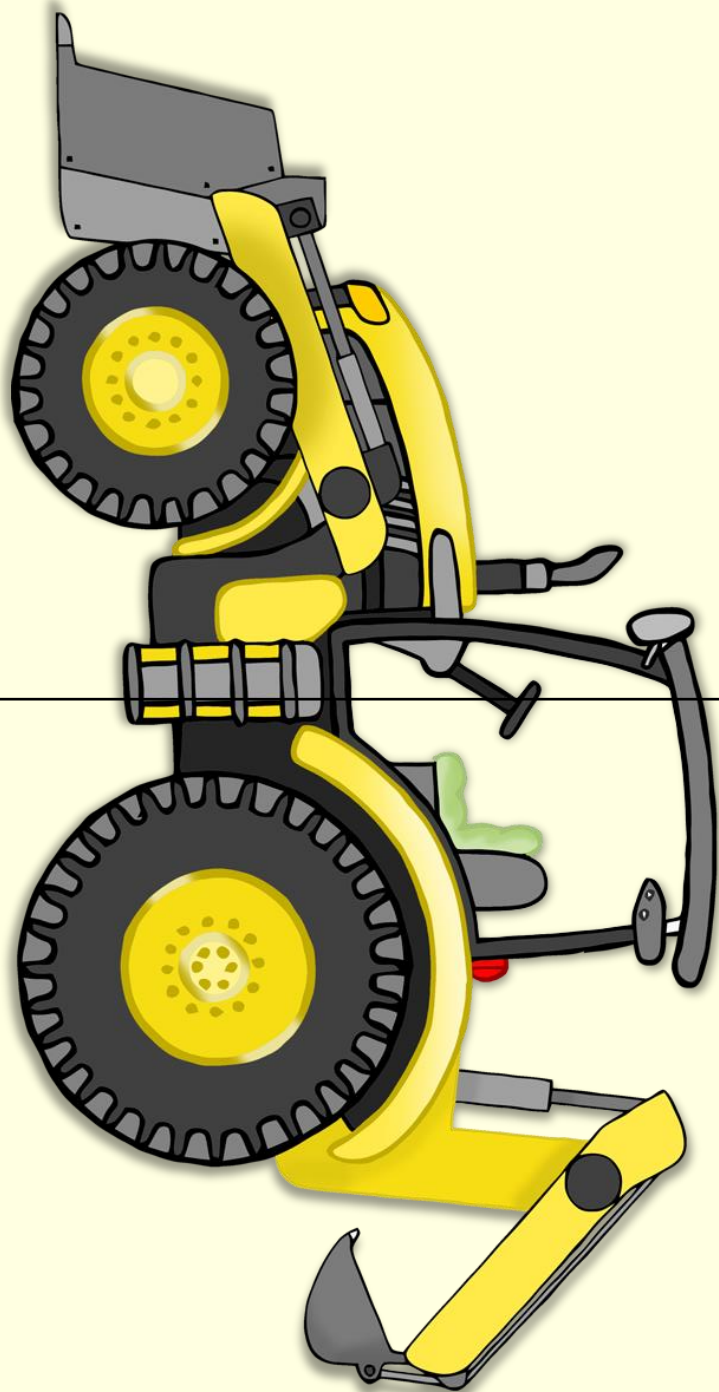


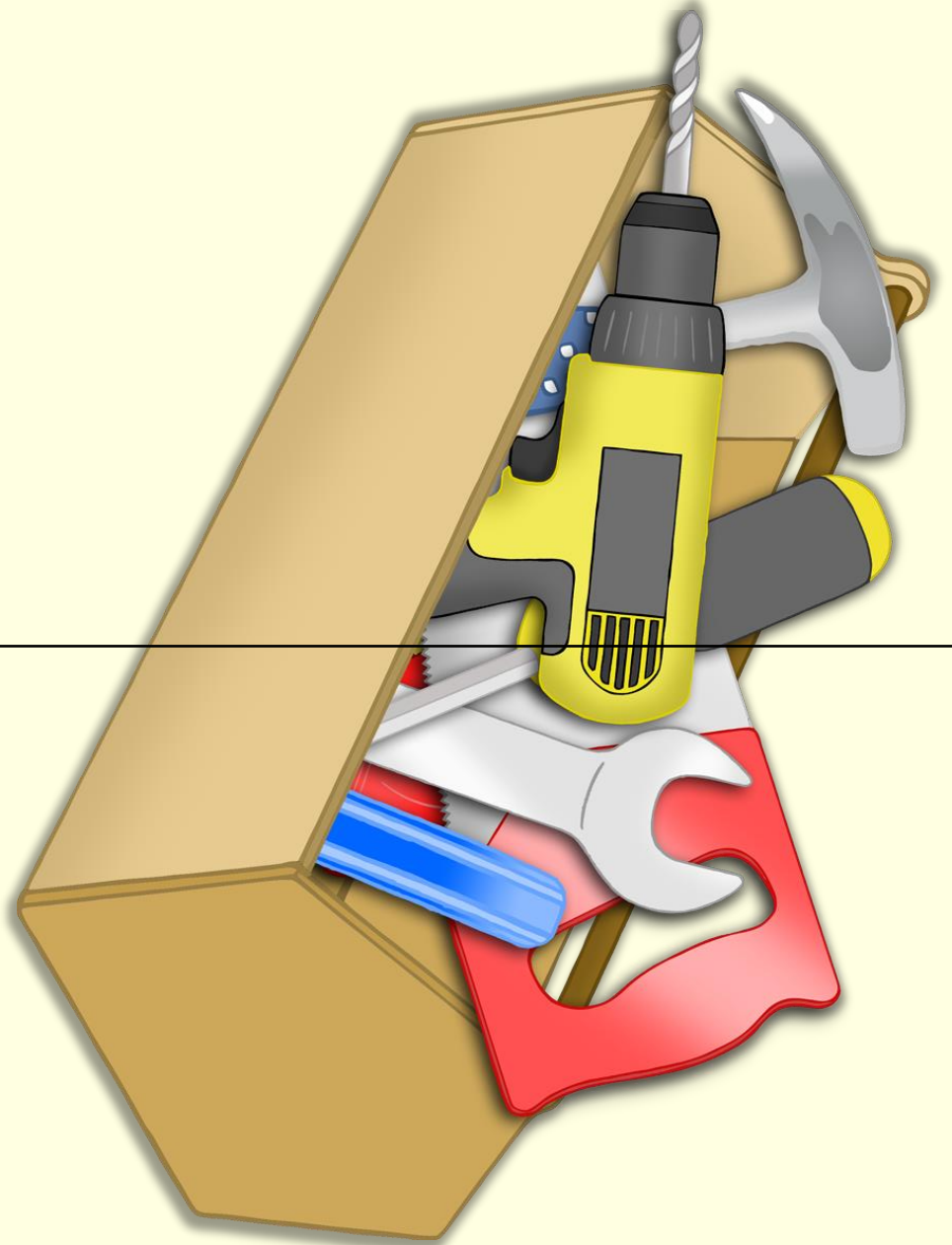
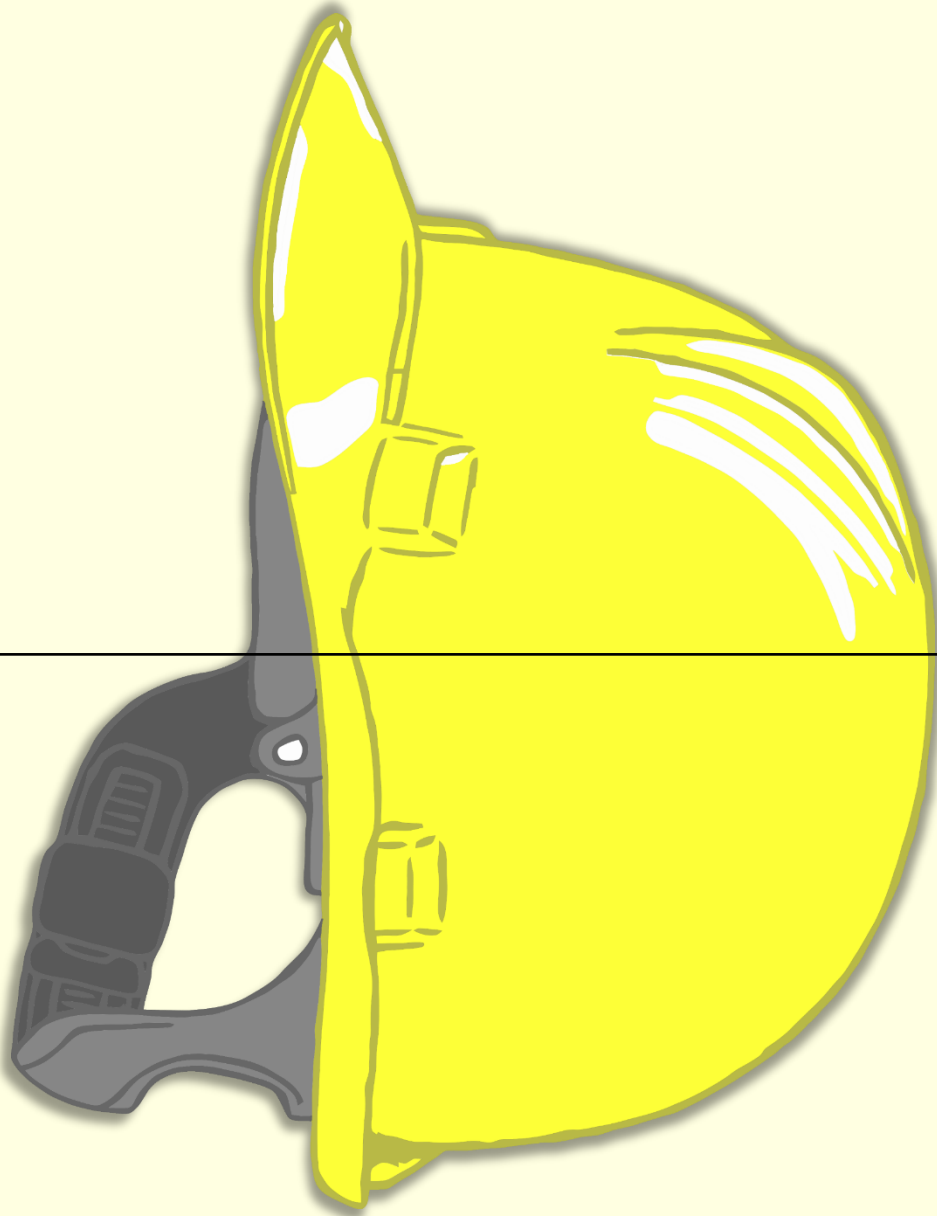


© 2023 Little Owls Resources

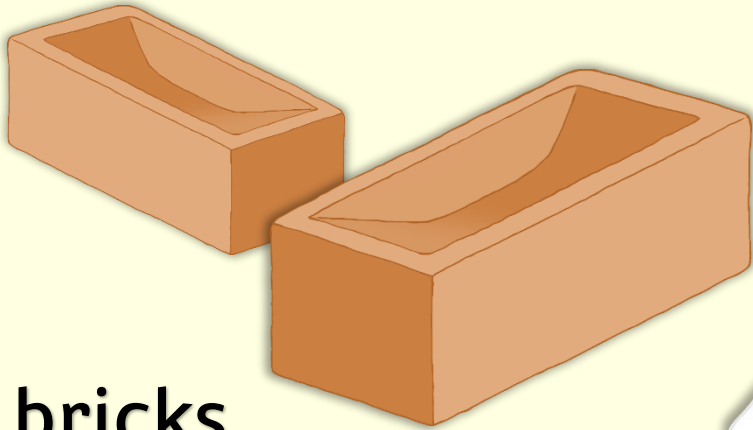


© 2023 Little Owls Resources





Builder



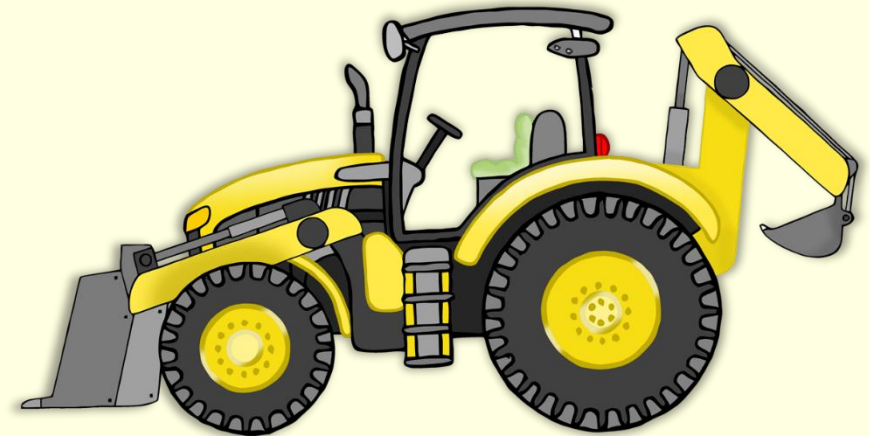
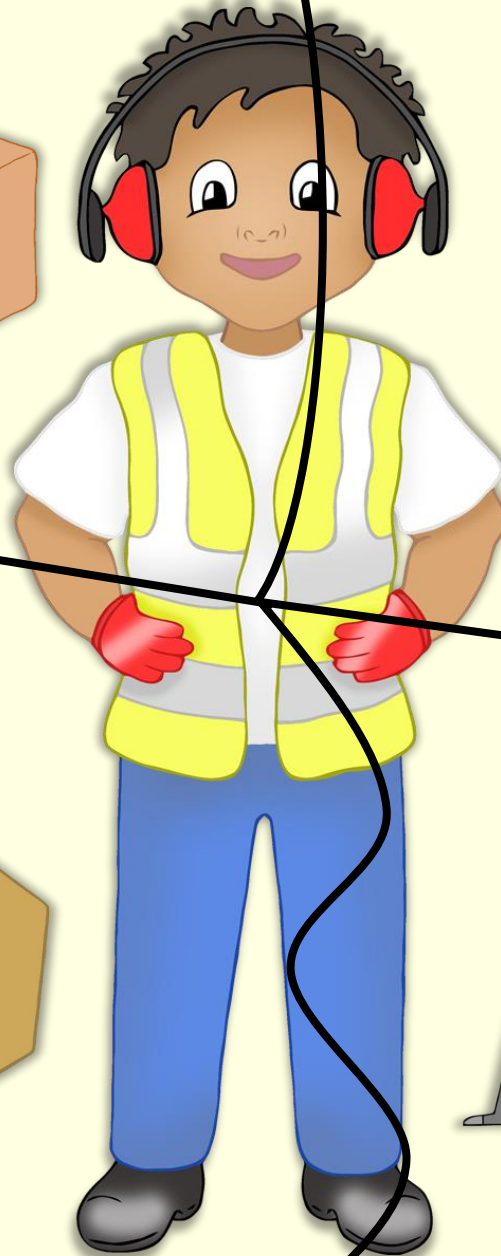
bricks



hard hat



tools



digger